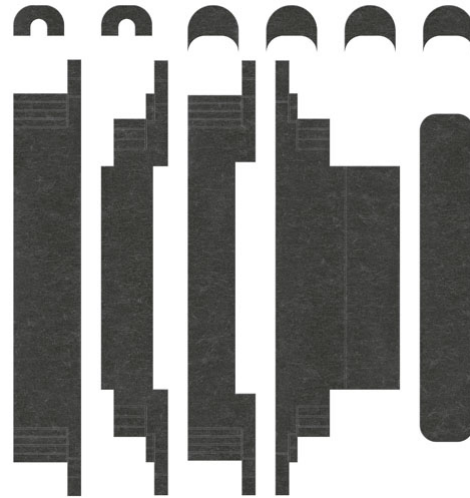


Intumescent Kit - Ref. 8822

for use with TE 626 3D A8

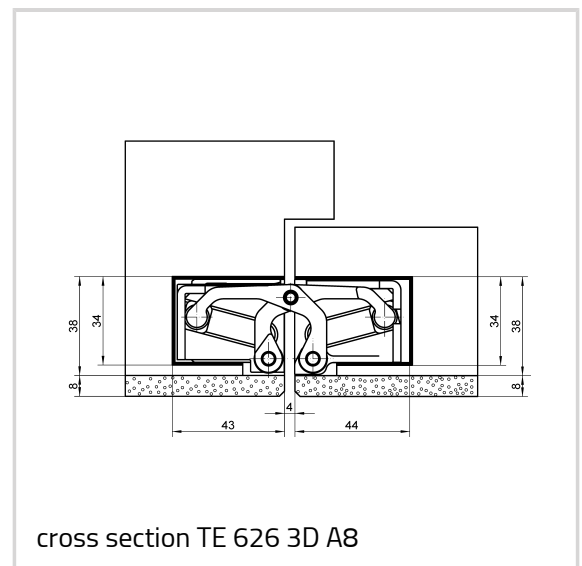


Product features

- material mono-ammonium phosphate
- self-adhesive backing

Technical details

Attributes	Value
Cutter diameter	26.0 mm
Collar ring diameter	30.0 mm
Material thickness	1.0 mm



Note

One kit to suit one hinge. Testing was conducted using three hinges per 1 x 2 m door leaf including intumescent fire kit wrapped around each hinge. For further technical information regarding the fire test please contact us.

Combinations

TE 626 3D A8